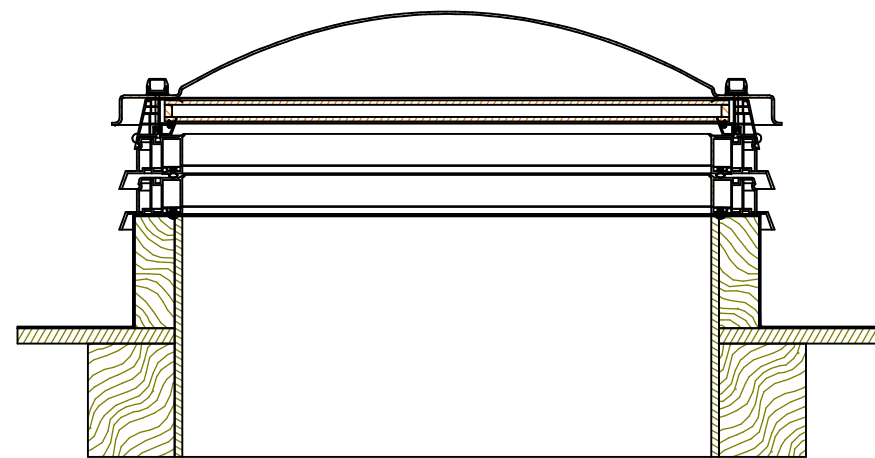
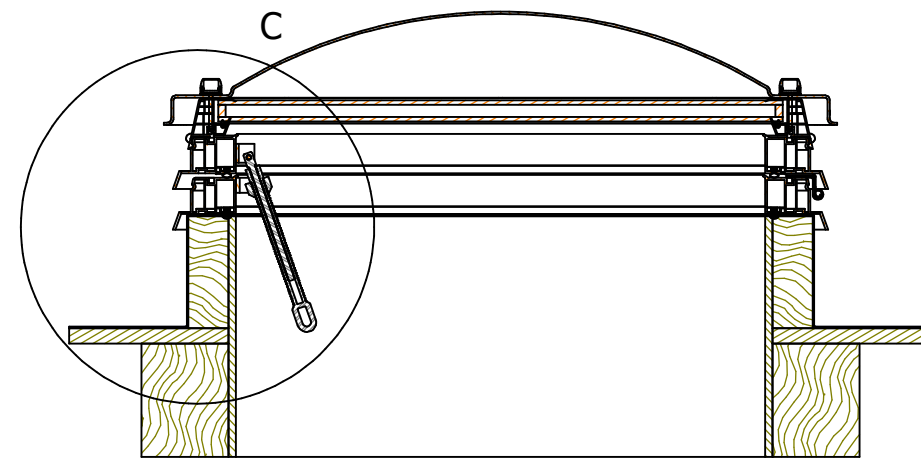


Section A-A



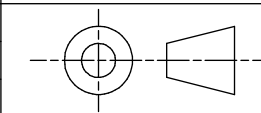
Section B-B



| Whitesales Product configuration Table | | |
|--|-----------------------|------------------------------------|
| 0. | Application Style | Builders Upstand |
| 1. | Assembly Number | |
| 2. | Product Type | RSL-R |
| 3. | Daylight Shape | Square |
| 4. | Upstand Type | Builders Curb |
| 5. | Opening Type | Manual Spindle |
| 6. | Installed Ventilation | None |
| 7. | Lid Option | Polycarbonate dome & Double Glazed |

All builders curbs shown on Whitesales drawings are for illustration purposes only. It is the responsibility of the curb designer to ensure that the curb is structurally adequate To support the rooflight product.

| | | |
|-------------------|------------------|----------------|
| Title: | Em-View Assembly | |
| Quote No & Line: | xxx | |
| Customer Name: | xxx | |
| Project: | xxx | Unit Qty: |
| Project No: | xxx | Scale: DNS |
| Drawing No: | xxx | Sheet size: A3 |
| Date & Timestamp: | 04/10/2019 | |
| Drawn By: | L.Crawford | |
| Part Rev: | 1 | |



Whitesales LTD
 Europa house
 GU6 8NQ Cranleigh
 T: +44(0)1483 271371
 F: +44(0)1483 271771
 E: sales@whitesales.co.uk
 I: www.whitesales.co.uk