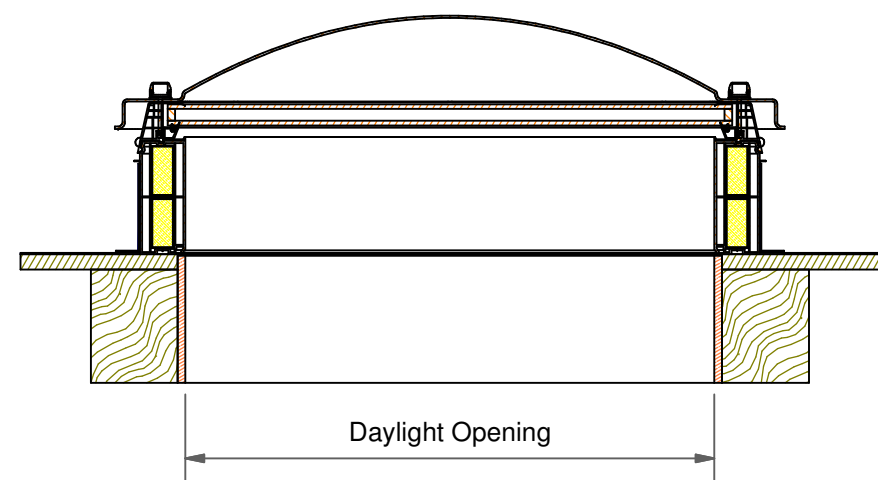
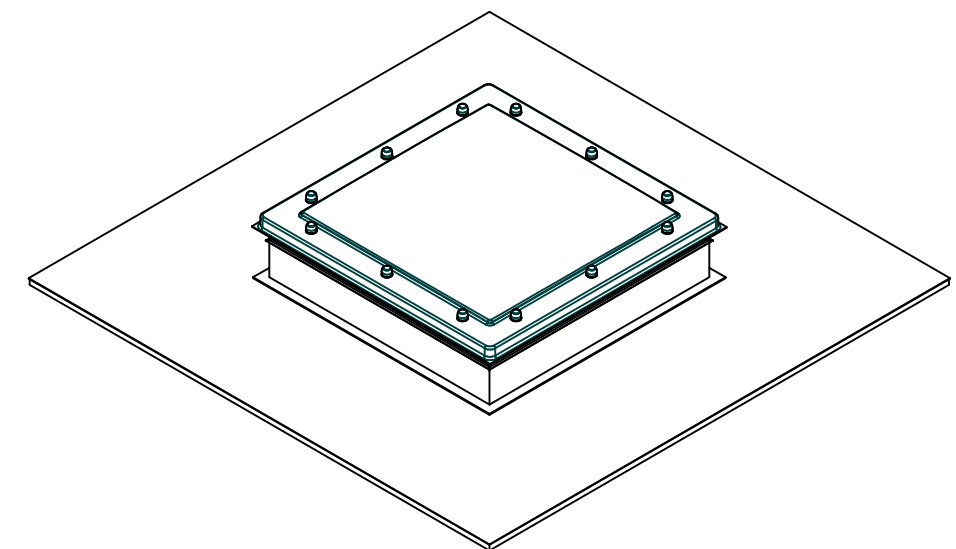
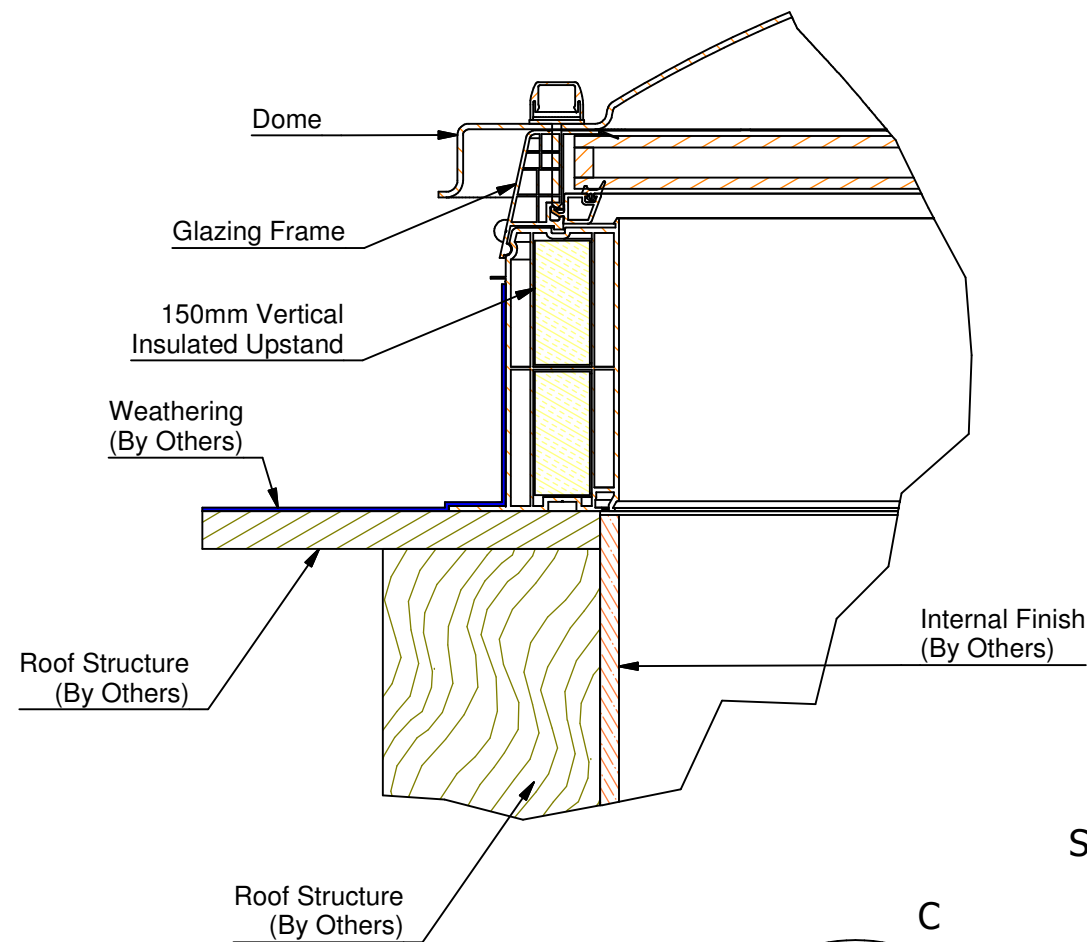


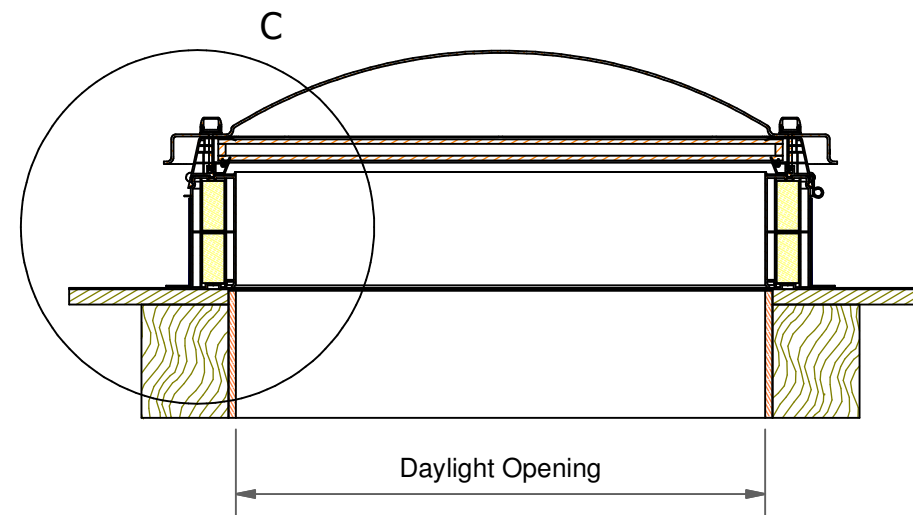
Section A-A



Detail C



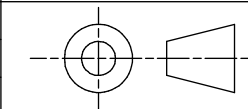
Section B-B



Whitesales Product configuration Table		
0.	Application Style	Whitesales uPVC Upstand
1.	Assembly Number	
2.	Product Type	RSL-R
3.	Daylight Shape	Square
4.	Upstand Type	uPVC 150mm Vertical upstand
5.	Opening Type	N/A
6.	Installed Ventilation	None
7.	Lid Option	Polycarbonate dome & Double Glazed

All builders curbs shown on Whitesales drawings are for illustration purposes only. It is the responsibility of the curb designer to ensure that the curb is structurally adequate To support the rooflight product.

Title:	Em-View Assembly	
Quote No & Line:	xxx	
Customer Name:	xxx	
Project:	xxx	Unit Qty:
Project No:	xxx	Scale: DNS
Drawing No:	xxx	Sheet size: A3
Date & Timestamp:	04/10/2019	
Drawn By:	L.Crawford	
Part Rev:	1	



Whitesales LTD
 Europa house
 GU6 8NQ Cranleigh
 T: +44(0)1483 271371
 F: +44(0)1483 271771
 E: sales@whitesales.co.uk
 I: www.whitesales.co.uk