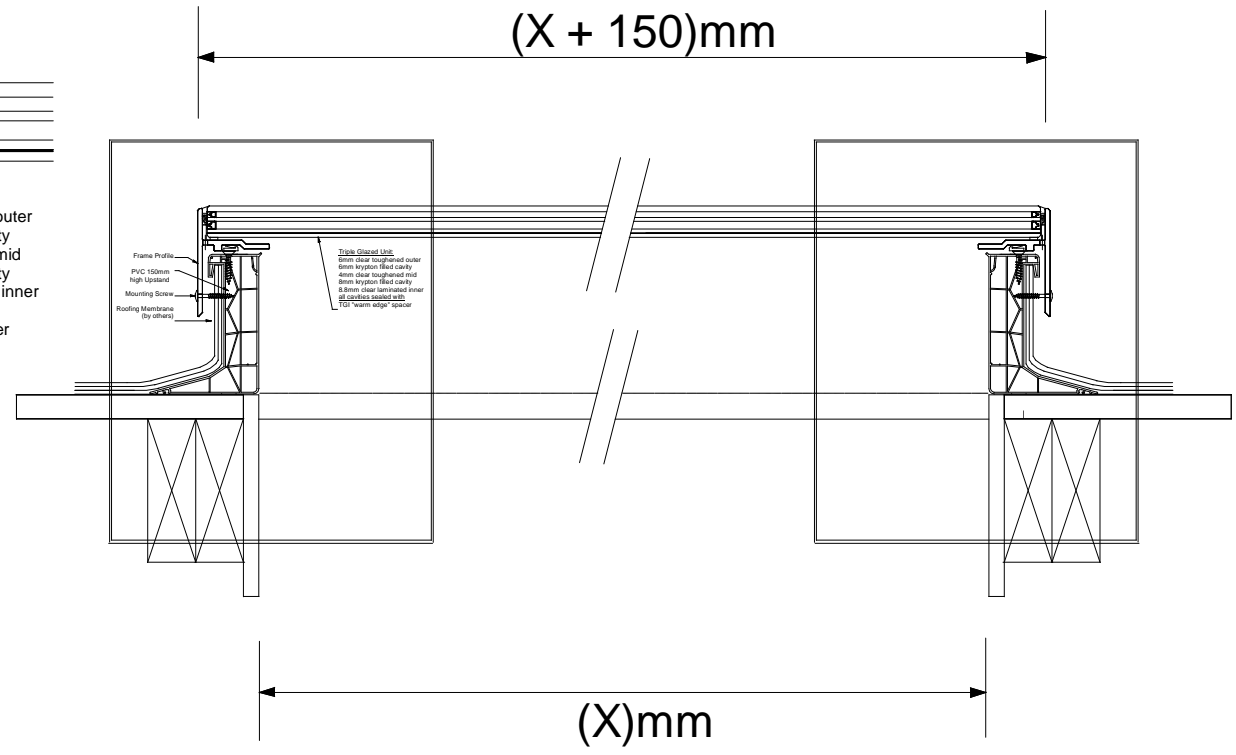


Triple Glazed Unit:
 6mm clear toughened outer
 6mm krypton filled cavity
 4mm clear toughened mid
 8mm krypton filled cavity
 8.8mm clear laminated inner
all cavities sealed with
 TGI "warm edge" spacer



SCALE 1:2 @ A3

SCALE 1:5 @ A3



Europa House, Alfold Road, Cranleigh, Surrey, GU6 8NQ T 01483 271371 E sales@whitesales.co.uk

Project	Rev	Date	Description	Drawn By	Checked
Client				DH	
Title				Date	Scale
				Contract No.	Varies
				Drawing No.	Revision
				001	

ERROR: syntaxerror
OFFENDING COMMAND: --nostringval--

STACK:

/Title

()

/Subject

(D:20110311094249+00'00')

/ModDate

()

/Keywords

(PDFCreator Version 0.9.5)

/Creator

(D:20110311094249+00'00')

/CreationDate

(Lauras)

/Author

-mark-