

NBS Specification

L10 - Windows / Rooflights / Screens / Louvres
460 - Rooflights

Manufacturer : Whitesales Europa House Alfold
Road Cranleigh GU6 8NQ

Tel 01483 271371 Fax 01483 271771 E-mail
sales@whitesales.co.uk

Product Reference : Flat Glass R/L and Em-Curb

Size : Specify from Product literature

Frame : Screwbolt - High security

Kerb : Em-Curb PVCu 150s. Height 150mm

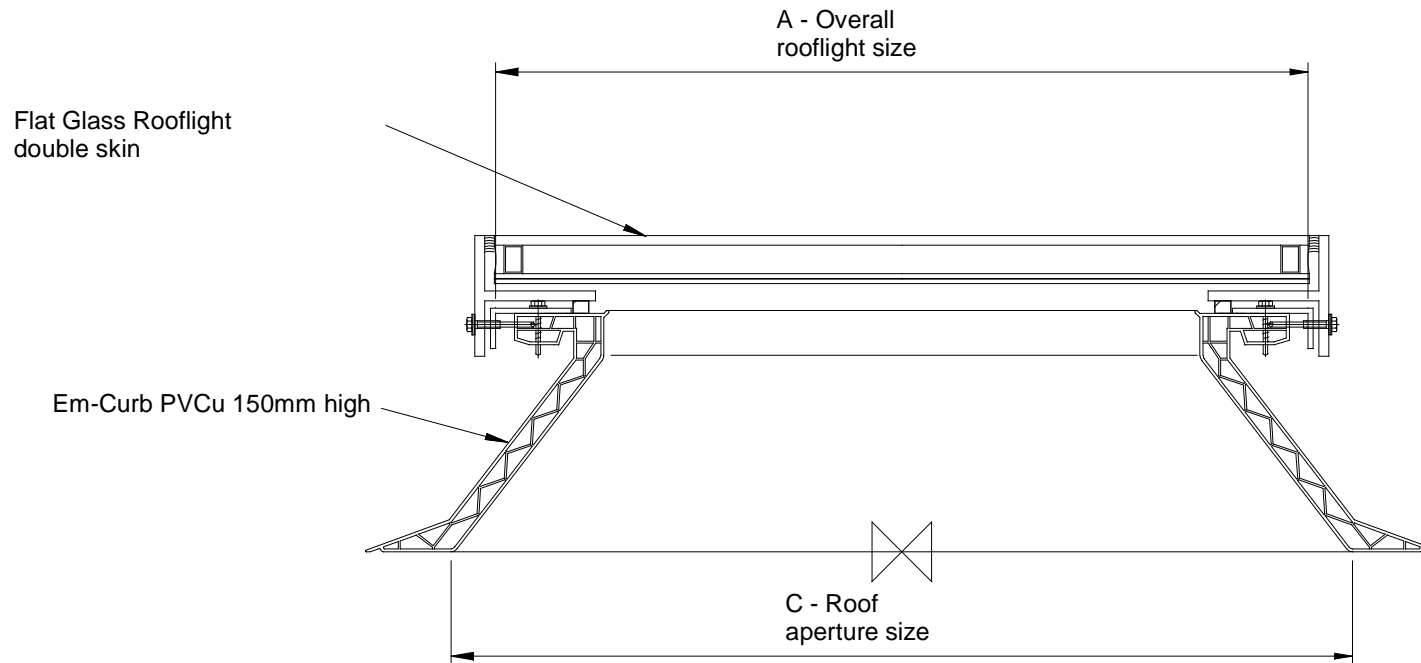
Material : PVCu - white self finish

Glazing details : Toughened Glass double skin

Finish : Specify from Product literature

Other requirements : None

Fixing : Please consult Whitesales for recommendations



WHITESALES

DRG No 0212

Flat Glass double skin rooflight
complete with splayed Em-Curb PVCu 150mm high
installed to prepared roof aperture