

NBS Specification

L10 - Windows / Rooflights / Screens / Louvres
460 - Rooflights

Manufacturer : Whitesales Europa House Alfold Road Cranleigh GU6 8NQ

Tel 01483 271371 Fax 01483 271771 E-mail sales@whitesales.co.uk

Product Reference : Em-Dome

Type : Dome

Size : *Specify from Product literature*

Frame : Screwbolt - High security

Kerb : Builders curb

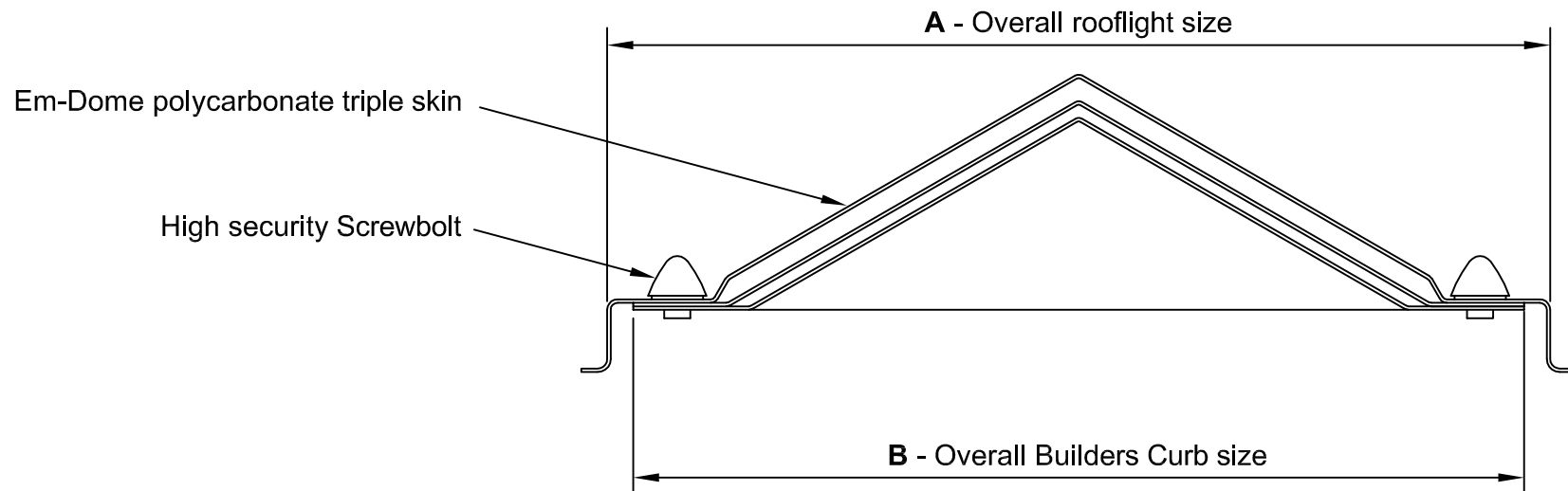
Material : *Specify type*

Glazing details : Polycarbonate triple skin

Finish : *Specify from Product literature*

Other requirements : None

Fixing : Please consult Whitesales for recommendations



WHITESALES

DRG No 0013

Em-Dome polycarbonate triple skin Pyramid rooflight
installed onto waterproofed builders curb