

**NBS Specification**

L10 - Windows / Rooflights / Screens / Louvres  
460 - Rooflights

**Manufacturer :** Whitesales Europa House Alfold Road Cranleigh GU6 8NQ  
Tel 01483 271371 Fax 01483 271771 E-mail sales@whitesales.co.uk

**Product Reference :** Em-Dome and Em-Curb

**Type :** Dome

**Size :** Specify from Product literature

**Frame :** Screwbolt - High security

**Kerb :** Em-Curb PVCu 350s. Height 350mm

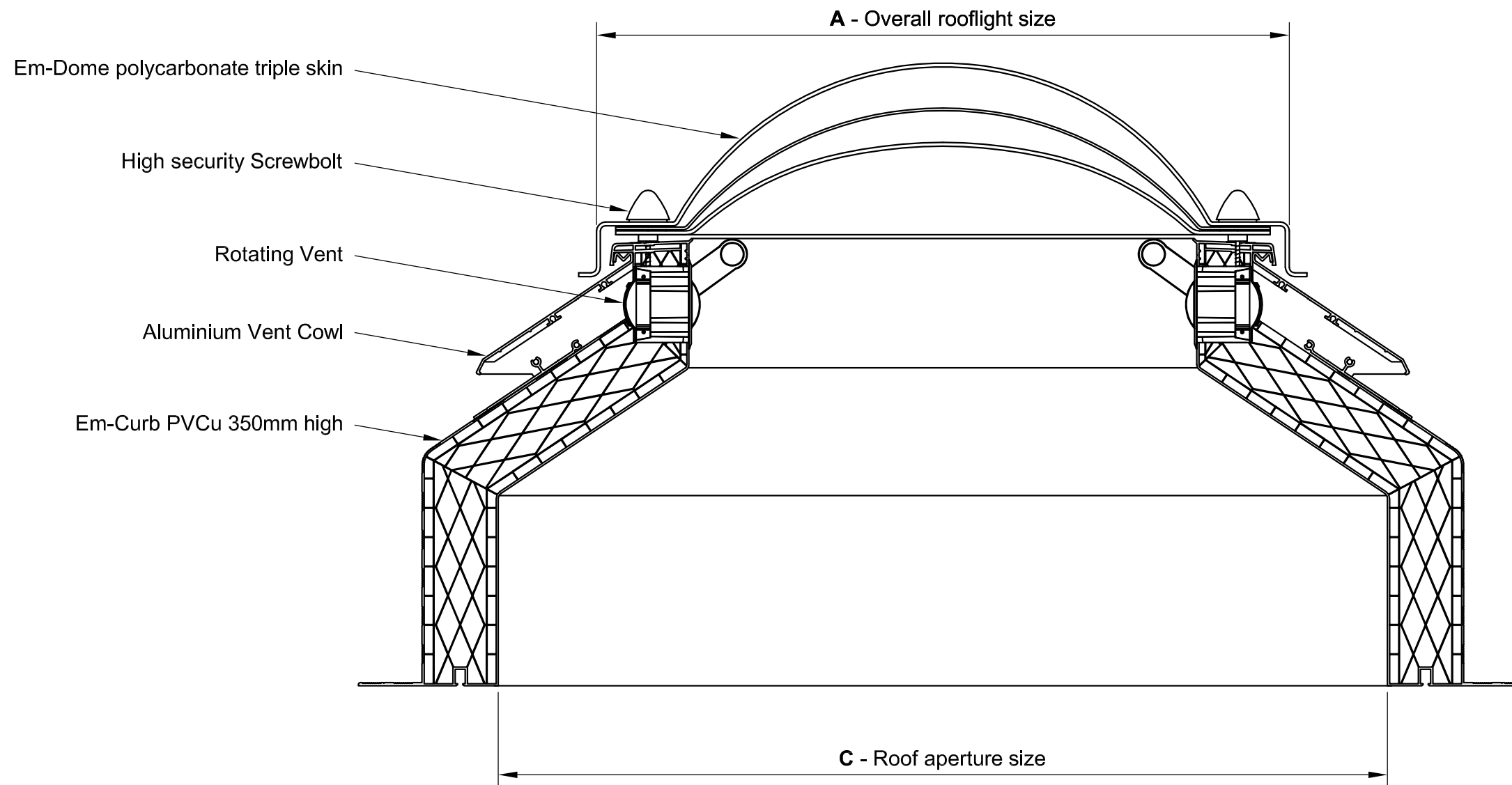
**Material :** PVCu - white self finish

**Glazing details :** Polycarbonate triple skin

**Finish :** Specify from Product literature

**Other requirements :** Rotating vents fitted to two sides of Em-Curb

**Fixing :** Please consult Whitesales for recommendations



WHITESALES

DRG No 0483A

Em-Dome polycarbonate triple skin rooflight  
complete with splayed Em-Curb PVCu 350mm high  
and rotating vents fitted to two sides  
installed to prepared roof aperture