

NBS Specification

L10 - Windows / Rooflights / Screens / Louvres

460 - Rooflights

Manufacturer : Whitesales Europa House Alfold Road Cranleigh GU6 8NQ

Tel 01483 271371 Fax 01483 271771 E-mail sales@whitesales.co.uk

Product Reference : Em-Dome and Em-Curb

Type : Dome

Size : Specify from Product literature

Frame : Screwbolt - High security

Kerb : Em-Curb PVCu ECO 150s. Height 150mm

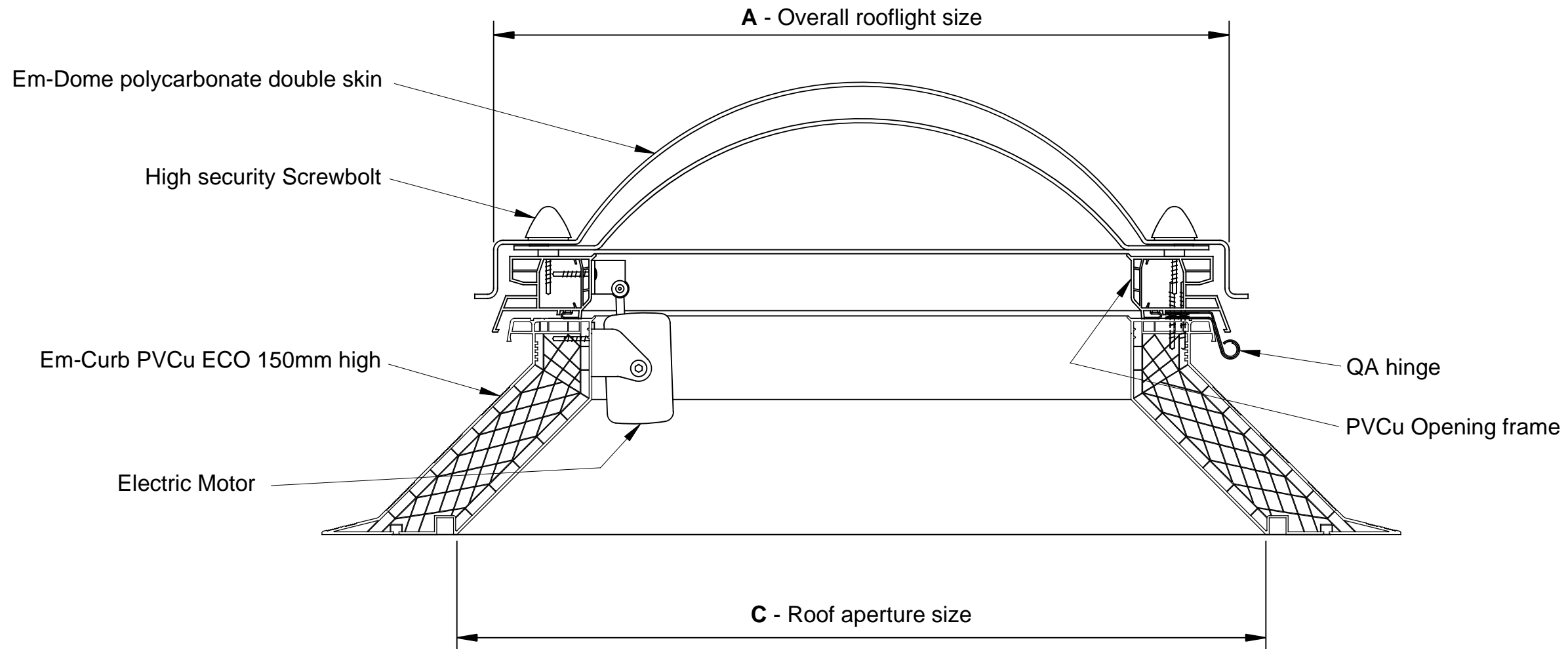
Material : PVCu - white self finish

Glazing details : Polycarbonate double skin

Finish : Specify from Product literature

Other requirements : PVCu opening frame and electric motor

Fixing : Please consult Whitesales for recommendations



WHITESALES

DRG No 0952A

Em-Dome polycarbonate double skin rooflight
complete with splayed Em-Curb PVCu ECO 150mm high
and PVCu opening frame and electric motor
installed to prepared roof aperture